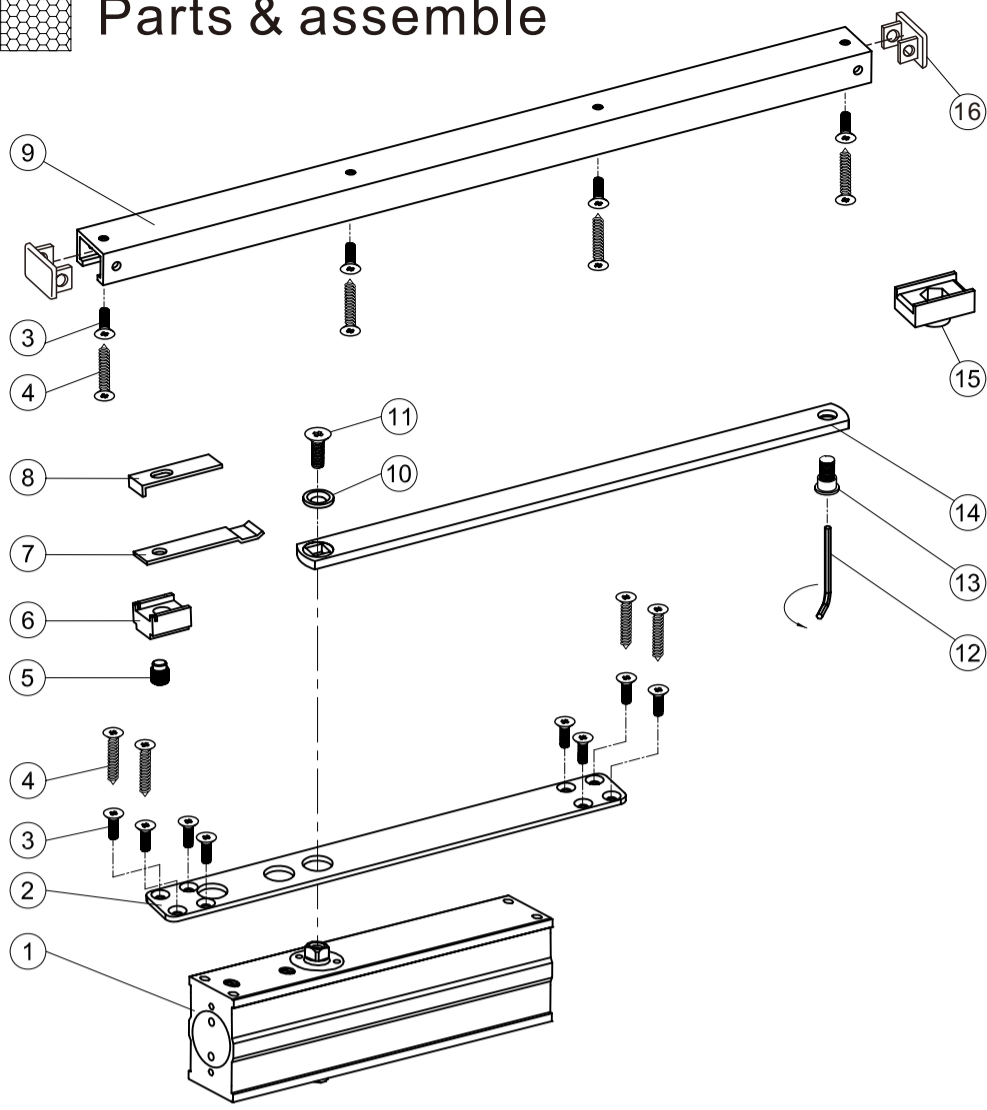
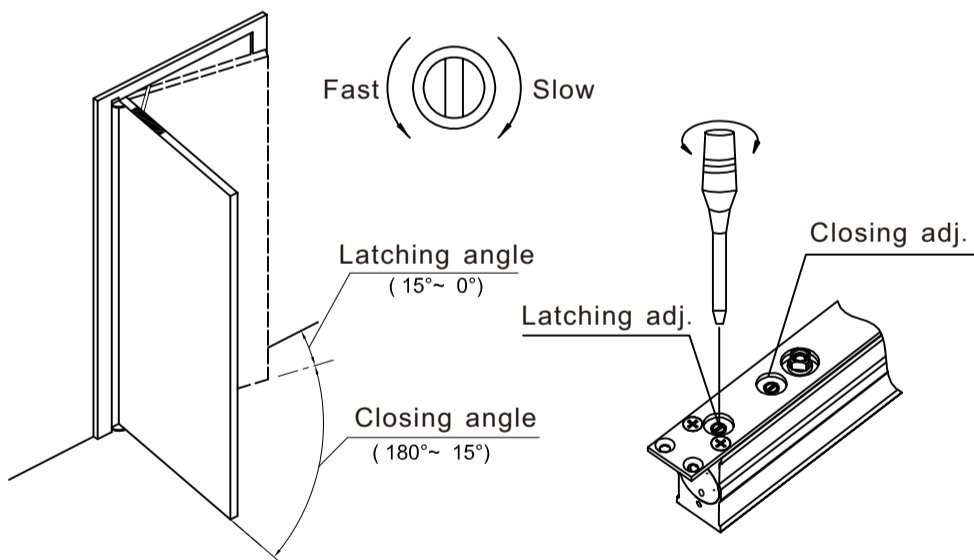


Parts & assemble

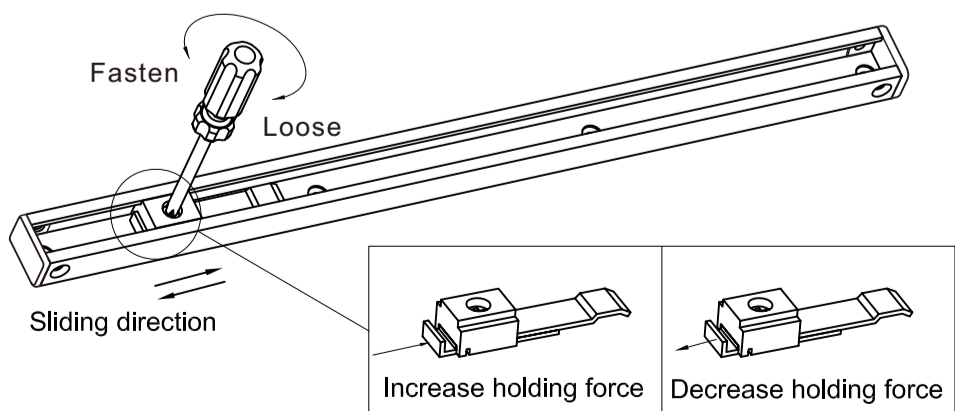


NO.	Parts	QTY	NO.	Parts	QTY
①	Body	1	⑨	Rail	1
②	Fixing plate	1	⑩	Washer	1
③	Screw M5x14.7	12	⑪	Screw M6X15	1
④	Screw ST4.8x25	8	⑫	Wrench	1
⑤	Setting Screw M10	1	⑬	Fixing Screw M8	1
⑥	Stop block	1	⑭	Main arm	1
⑦	Stop Piece	1	⑮	Slider	1
⑧	Adjust Piece	1	⑯	Cover	2

SPEED Adjustment



Opening angle adj. (Just Hold Open available)

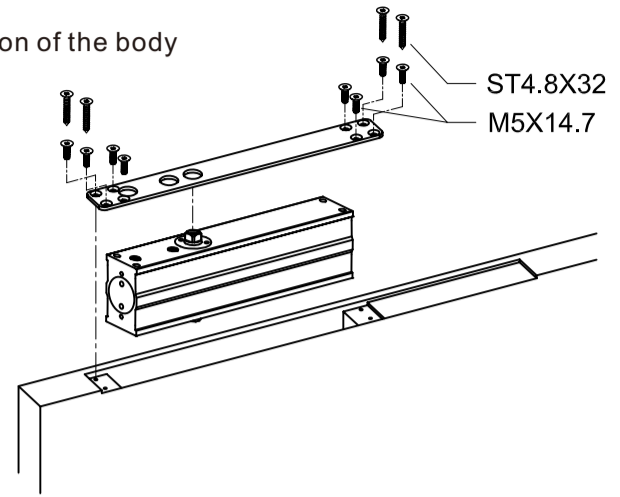


Suitable for R/L use

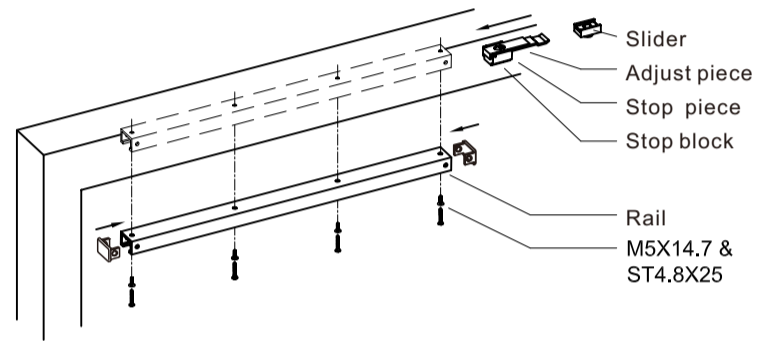
INSTALLATION

EN	DOOR WIDTH (mm)	DOOR WEIGHT (mm)	DOOR THICKNESS (mm)
2	≤850	≤40~60	wooden door ≥40
3	≤950	≤60~80	metal door ≥35

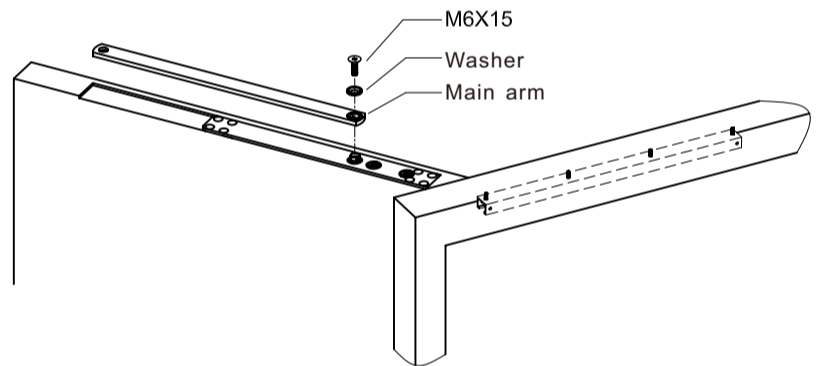
① Installation of the body



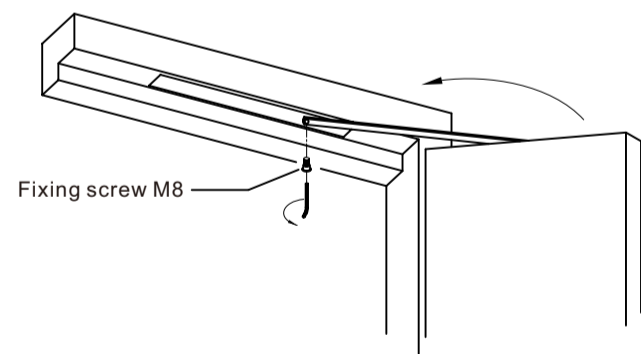
② Installation of the rail assembly



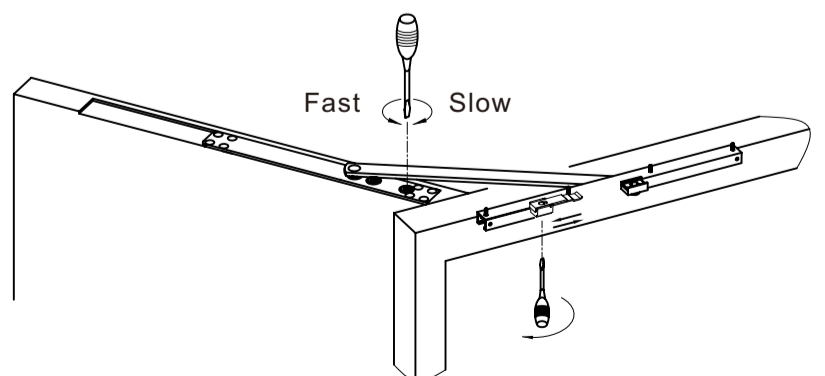
③ Fixing the arm to the body



③ Fixing the arm to the slider



③ Opening angle and closing speed adjustment

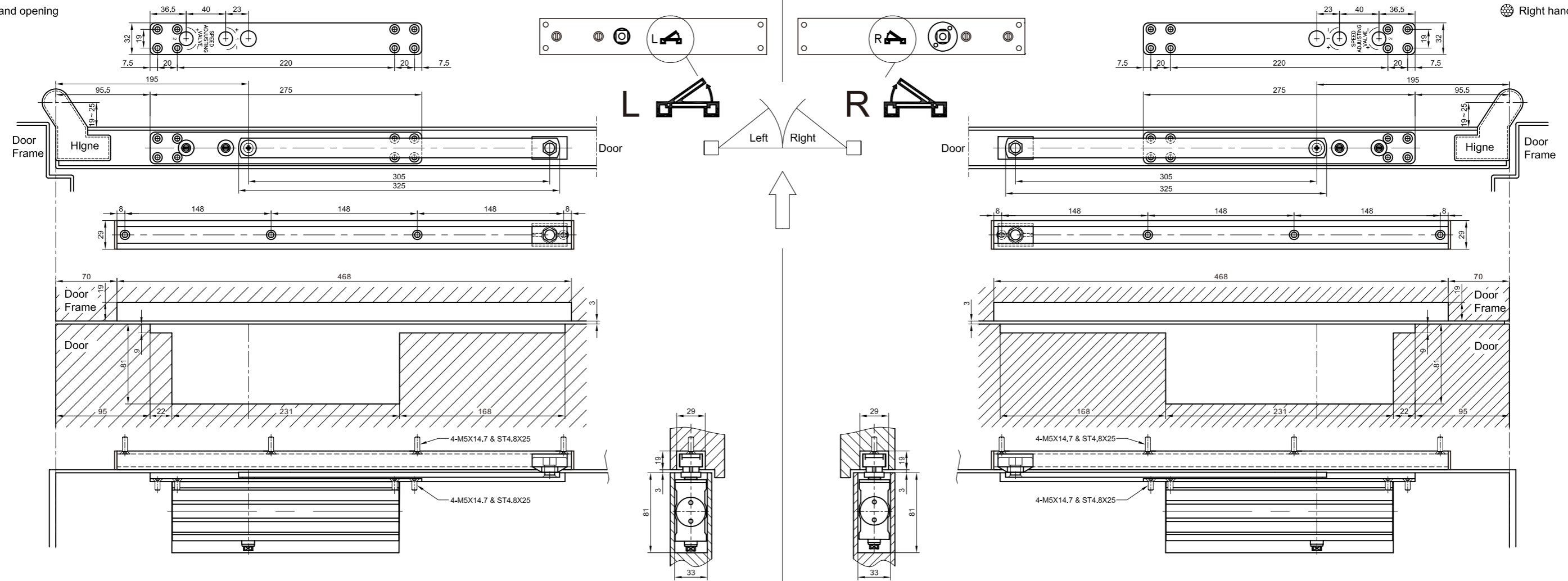


Caution:

Please install the door closer as per the installation template and ensure all the screws are secured properly.

Left hand opening

Right hand opening



Left hand opening
(Top jamb installation)

Right hand opening
(Top jamb installation)

